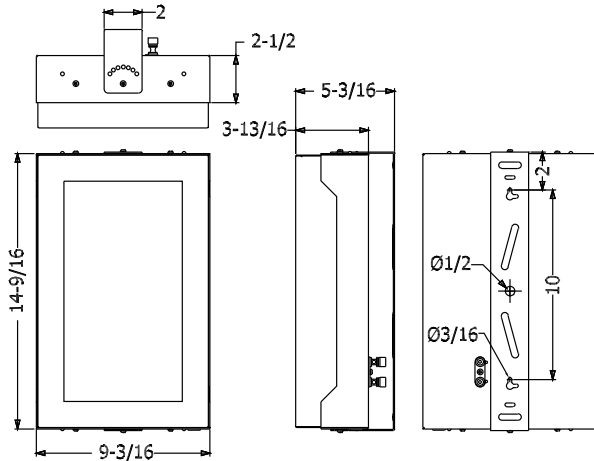




# Quam

## FM7Q1/70 Series Tuned Enclosure with Mounting Bracket 70V, Rotary Select

**FOREGROUND MUSIC SPEAKER SYSTEM**



### GENERAL DESCRIPTION

The FM7Q1/70 Series is a complete 2-way loudspeaker with a 6-1/2" O.D. woofer and 1" dome tweeter, 20W-70V, low loss, extended frequency response, rotary select transformer with 8-Ohm position, steel 'MicroPerf' grille, steel frame and multiple position "U" bracket.

Color finishes are baked epoxy hybrid; models as described by suffix.

### INTENDED USE

Protected outdoor or indoor environment, surface mount, horizontal or vertical installation

Program Material: Signal tones, voice and music

### SYSTEM COMPONENTS

Transformer	70V 20W-5 tap or 8-Ohm, Rotary Select (20W, 10W, 5W, 2.5W, 1.25W)
-------------	---

### MODELS

### FINISH OPTIONS

FM7Q1/70/W	All White
FM7Q1/70/B	All Black
FM7Q1/70/SS	Stainless frame, black frame and back

### AUDIO SPECIFICATIONS

Average Sensitivity	91 dB-SPL 1W/1M
Loudspeaker Power Rating	30W RMS EIA 426A Standard
8-Ohm Tap Output	91 dB-SPL 1W/1M
Calculated Maximum System Output	103 dB-SPL 20W/1M, 70V mode
Frequency Response	60 Hz - 20 kHz EIA 426A Standard
Nominal Coverage Angle	90° included angle -6 dB/ 2 kHz half space
Audio Connection	Binding screw

Recommended construction sequences, installation instructions and A&E Specifications, are available in various formats in the QUAM Architects' and Engineers' Resources section on the web at: [www.QuamSpeakers.com](http://www.QuamSpeakers.com)

### QUAM-NICHOLS COMPANY

234 East Marquette Road, Chicago IL 60637  
Phone: (800) NEED NOW Fax: (888) NEED NOW  
(800) 633-3669 (888) 633-3669

E-Mail: [NeedNow@QNC.com](mailto:NeedNow@QNC.com) [www.QuamSpeakers.com](http://www.QuamSpeakers.com)

