



Quam

LOUDSPEAKER ASSEMBLIES

SOLUTION 3

CEILING MOUNT

Includes two (2) each:
C10FX/BU/2WS, ERD8U, SSB-6

GENERAL DESCRIPTION

The SOLUTION 3 is a complete speaker/transformer/designer baffle solution for ceiling installations. Each package includes two (2) C10FX/BU/2WS - The 8C10FEPAX - 8" O.D. foam surround, dual cone speaker with a TBLU - 5W-25/70V transformer mounted on a BR8-2WS designer baffle.

Ceiling Tile Installation.....Use ERD8U back boxes and SSB-6 tile support bridges

Hard Ceiling Install Option.....Simply install the included QMount Bracket accessory

*** SHIPPED AS A COMPLETE PAIR IN ONE CARTON**

INTENDED USE

Indoor environment

Installation : Downward-firing position in a 24" wide drop-tile ceiling

Program Material : Paging, signal tones, and background music

AUDIO SPECIFICATIONS

Average Sensitivity.....95 dB SPL, 1W/ 1M

Loudspeaker Power Rating.....20W RMS, EIA 426A Standard

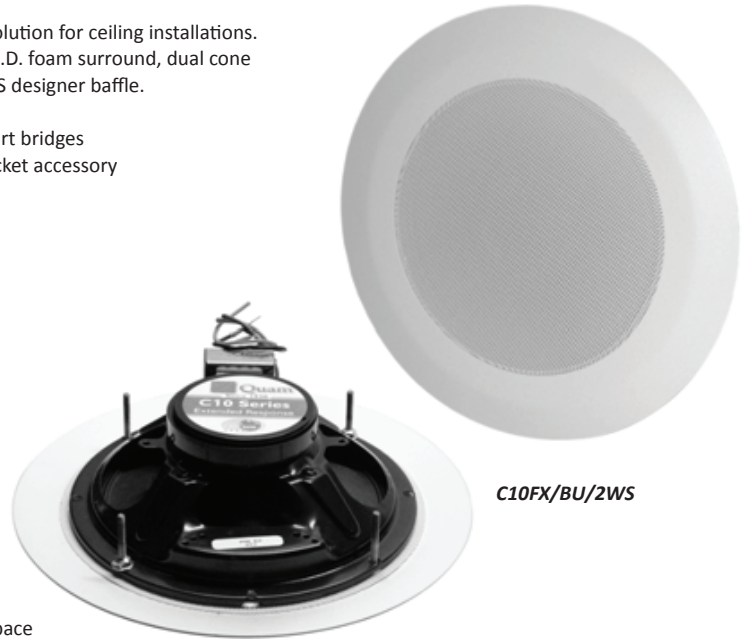
Calculated Output.....105dB SPL, 10W/ 1M

Magnet Type & Weight.....BeFe Ceramic, 10 oz. Nominal

Frequency Response.....40Hz - 18 kHz EIA 426A Standard

Nominal Coverage Angle.....100° Included Angle, -6 dB / 2 kHz, Half space

Audio Connection.....7" color-coded pigtailed, pre-cut



C10FX/BU/2WS

SYSTEM COMPONENTS

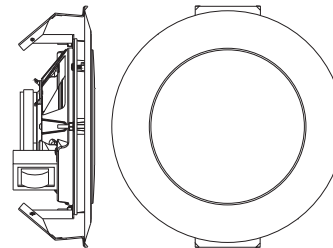
Loudspeaker.....8C10FEPAX

Transformer.....25/70V 5W-5 tap Color Coded Leads
(5W, 2.5W, 1.25W, 0.63W, 0.31W)

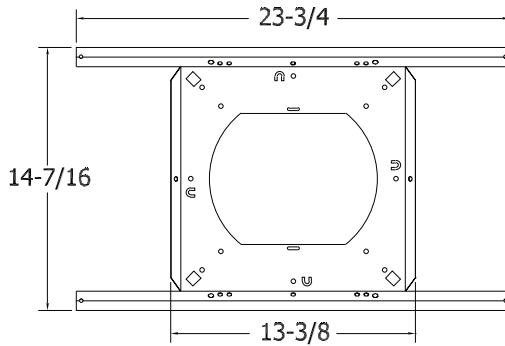
Baffle.....BR8-2WS

Back Box.....ERD8U

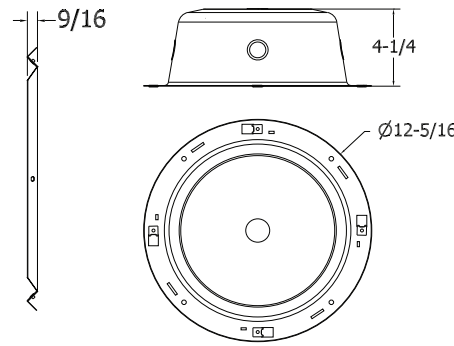
Hard Ceiling Brackets.....QMount



Shown with
QMount Brackets installed



SSB-6



ERD8U



Recommended construction sequences, installation instructions, and A&E Specifications are available in various formats in the QUAM Architects' and Engineers' Resources section on the web at: www.QuamSpeakers.com

© 2013 Quam-Nichols Company Quam-Nichols reserves the right to make changes and/or improvements to its products at any time and without notice.

